

INSTALLATION OF PEPSI HIGH SECURITY LOCKCOVER ASSEMBLY M032.1

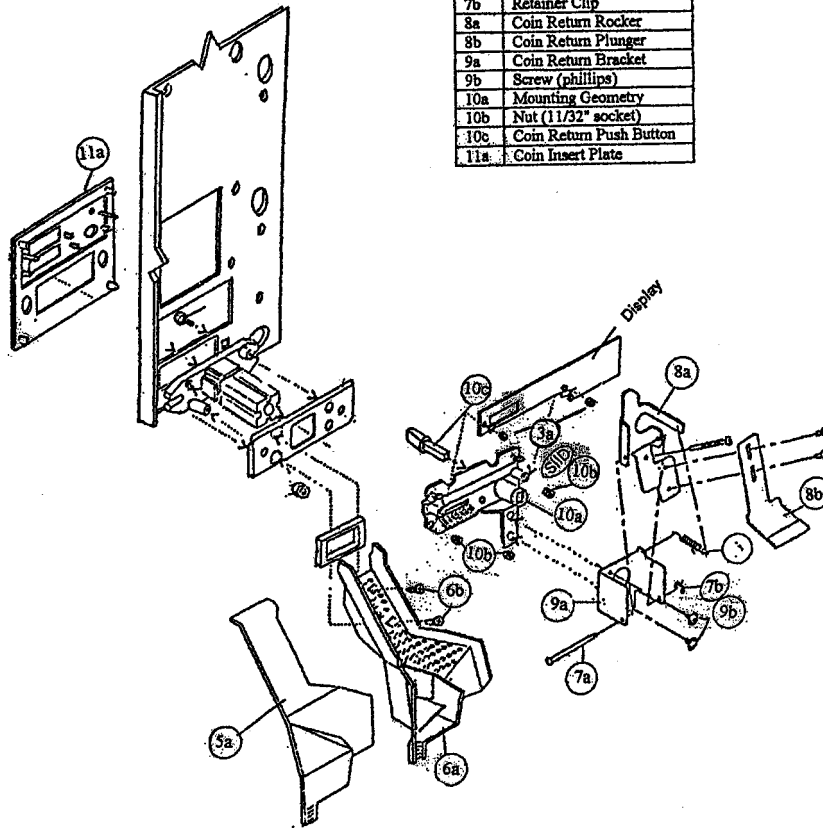
Parts Required:	1 - 592,150,80x.x3	Coin Insert and Lock Cover Assembly
	1 - 803,861,70x.x1	Label, High Security Coin Insert
	4 - 800,303,19x.x1	Carriage Bolt, 1/4 - 20 x 5/8 GRADE 5
	4 - 900,800,67x.x1	Nut, Keps 1/4 - 20

Tools Required:	Drill	1/4" drill bit
	11/32" thinwall socket	7/16" socket
	Ratchet for socket	Phillips screwdriver
	Small, blade screwdriver	needle nose pliers

NOTE: PLEASE READ ALL INSTRUCTIONS THOROUGHLY PRIOR TO BEGINNING WORK.

1. Unplug the vender.
2. Open the door and remove the harness from the display board.
3. Remove the two 11/32" nuts holding the display board on, then carefully remove the display. Retain for reuse.
4. Remove the drain hose from the coin chute.
5. Carefully remove the coin chute cover by using a small blade screwdriver to push the lock tabs clear while gently lifting the cover.
6. Remove the two screws retaining the coin chute base. Remove the coin chute base.
7. Remove the retainer clip from the coin return rocker pin and remove the pin.
8. Remove the coin return plunger and rocker assembly.
9. Remove the coin return bracket by removing the two screws that retain it.
10. Remove the plastic mounting geometry by removing the three 11/32" nuts that retain it.
11. Remove the coin insert plate by removing the four 7/16" nuts that retain it.
12. Install the coin insert and lock cover assembly and retain with the four 7/16" nuts removed in step 11.
Note: Prior to installing the coin insert and lock cover assembly, ensure that the wide vandal panel has been installed on the door.
13. Using the coin insert and lock cover assembly as a template, drill four 1/4" holes through the side of the door. Secure the side of the coin insert and lock cover assembly with four carriage bolts and nuts.
14. Install the plastic mounting geometry (and push button) and secure with the three 11/32" nuts removed in step 10.
15. Install the coin return bracket and secure with the two screws removed in step 9.
16. Install the coin return plunger and rocker assembly, and secure with the pin and retaining clip removed in step 7.
17. Install the coin chute base and secure with the two screws removed in step 6.
18. Install the coin chute cover on the coin chute base. Ensure that all retaining tabs are snapped.
19. Install the drain hose on the coin chute removed in step 4.
20. Install the display board and secure with the two 11/32" nuts removed in step 3. Attach the harness to the display board.

3a	Nut (11/32" socket)
5a	Coin Chute Cover
6a	Coin Chute Base
6b	Screw (phillips)
7a	Coin Return Rocker Pin
7b	Retainer Clip
8a	Coin Return Rocker
8b	Coin Return Plunger
9a	Coin Return Bracket
9b	Screw (phillips)
10a	Mounting Geometry
10b	Nut (11/32" socket)
10c	Coin Return Push Button
11a	Coin Insert Plate



The numbers of the parts correspond to the numbered steps in the instructions.
Figure A



Figure B